

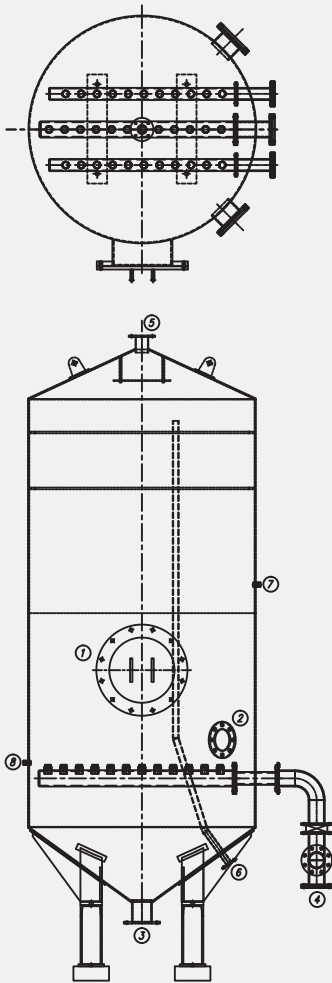
EXCEL VACUUM DEAERATOR



Palm Oil Mill Equipment Specialist

www.excelmech.com.my

VACUUM DEAERATOR



SPECIFICATION

Design Code	: ASME SECT. VIII DIV 1
Working Pressure	: Vacuum
Design Pressure	: Vacuum
HT Pressure	: 130 kPa
Medium of Service	: Hot Water
Joint Efficiency	: Shell 0.7 (Table UW-12) Conical Head 0.7 (Table UW-12)
Capacity	: Range from 5 tons to 40 tons

DESCRIPTION

Nozzles:

1. Manhole	5. Ejector connection
2. Sight glass	6. Vapour Outlet
3. Water outlet	7. Vacuum Gauge
4. Water inlet	8. Level Gauge

For further information, please contact sales office, or:



Excelmech Engineering Sdn. Bhd. (Company No. 862039-X)

Lot 2828, Jln Kelkati 32/168, Off Jln. Sri Gambut Bukit Naga,
Seksyen 32, 40460 Shah Alam, Selangor Darul Ehsan, Malaysia.
Tel: 603-5167 1589 Fax: 603-5167 2588
E-mail: contact@excelmech.com.my