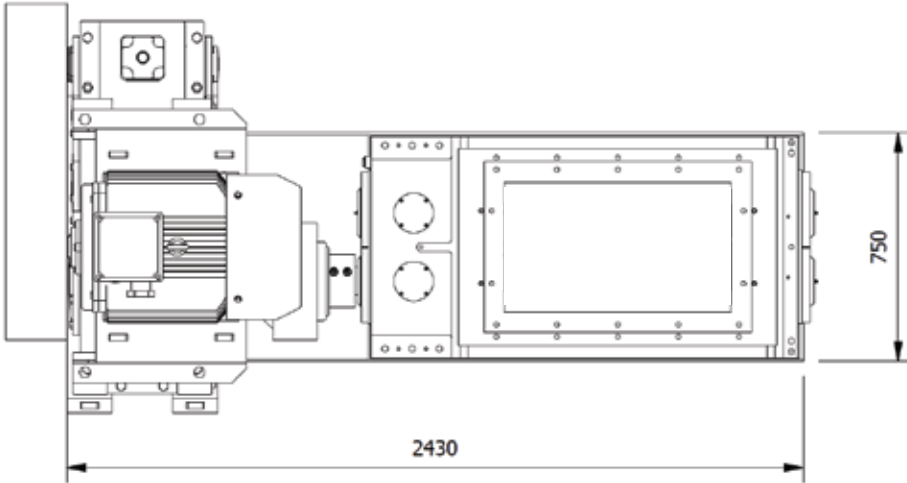


# EXCEL EFB SHREDDER



*Palm Oil Mill Equipment Specialist*

[www.excelmech.com.my](http://www.excelmech.com.my)



## EFB SHREDDER

### EXCEL EFB SHREDDER

Model	EXCEL EFB SHREDDER 8
Type	Twin Knives
Capacity	7 – 8 Tons EFB/hr
Main Frame	Cast Steel
Base Frame	Mild Steel
EFB Cutter	Hardened Steel Cutter
Shaft	ASSAB 705
Bearing	SKF / FAG
Gearbox	SEW / Sumitomo Paramax
Motor	75 hp x 1,480 rpm
Final Speed	45 rpm
Empty Bunch Fibre Length	50 mm – 125 mm

For further information, please contact sales office, or:



**Excelmech Engineering Sdn. Bhd.** (Company No. 862039-X)

Lot 2828, Jln Kelkati 32/168, Off Jln. Sri Gambut Bukit Naga,  
Seksyen 32, 40460 Shah Alam, Selangor Darul Ehsan, Malaysia.

Tel: 603-5167 1589 Fax: 603-5167 2588

E-mail: [contact@excelmech.com.my](mailto:contact@excelmech.com.my)