

EXCEL BUCKET STRAINER



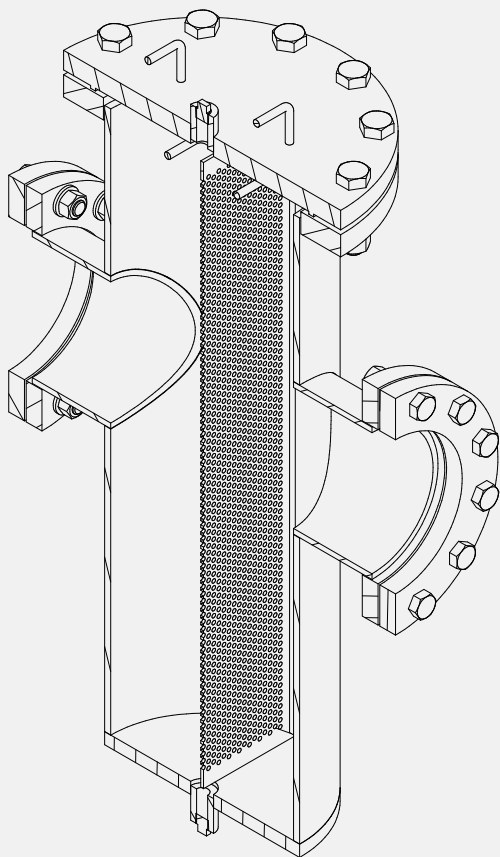
Specialize in palm oil mill equipment

www.excelmech.com.my



MAIN FEATURES

Bucket Strainer is used as a closed vessel with cleanable or removable strainer or mesh screen for removing foreign particles in a horizontal pipeline.



SPECIFICATION

Dimension (Body x Nozzle)	8" x 4" / 10" x 6" / 12" x 8"
Body & Nozzle Material	Carbon Steel / Stainless Steel
Flange Type	Any
Strainer	SS304 c/w Ø3mm Perforated Holes
Design Pressure	10 barg / 145 psig
Design Temperature	90 °C
Design Code	ASME SECT. VIII DIV. 1 2019
Medium	Oil / Water

For further information, please contact sales office, or:



Excelmech Engineering Sdn. Bhd. (Company No. 862039-X)

Lot 2828, Jln Kelkati 32/168, Off Jln. Sri Gambut Bukit Naga, Seksyen 32, 40460 Shah Alam, Selangor Darul Ehsan, Malaysia.

Tel: 603-5167 1589 Fax: 603-5167 2588

E-mail: contact@excelmech.com.my