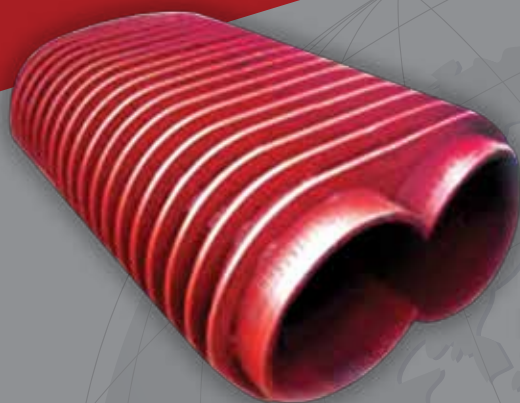
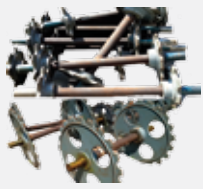


# EXCEL PALM OIL MILL SPARE PARTS



Palm Oil Mill Equipment Specialist

[www.excelmech.com.my](http://www.excelmech.com.my)



Sprocket & Coupling



Pump



Worm Screw



Conveyor & Transmission Chain



Bearing



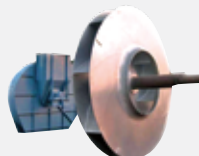
Conveyor Sprocket



Hanger Bearing



Chain Coupling



Fan Impeller



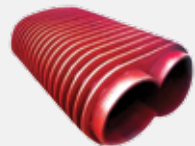
Flexible Coupling



Vibrating Screen Wire Mesh



Hydrocyclone Vortex



Press Cage



Ribbon Screw



Digester Shaft, Blade & V-Arm



Wheels



Sludge Centrifuge



Ripple Mill Rotor



Thresher



Roller Support



Dish End & Door Seals

## SPARE PART

Excelmech Engineering Sdn Bhd. supplies spare parts and components for equipment in palm oil mills. Our range of supply includes:

## CASTING PART

- Screw Press Worm Screw, Spur Gearbox Housing, Press Cone.
- Digester V block, Beater Arm and Expeller Arm.
- FFB Cage Bearing Housing Block, Bush, and Wheel.
- Boiler Fire Grate Bars, Fire Doors, Dust Collector Cyclone.
- Elevator / Conveyor Sprocket and Coupling.
- Screw Conveyor Hanger Bearing and Bush.
- Hydrocyclone Vortex, Cone and Dome Chambers Casting.
- Pump Casing, Impeller, Seal and Shaft.
- Support Rollers and Path Rings for Cage Tippers.
- Rope Drums for Winches and Capstans.
- Support rollers and path rings for the cage tippers.
- Rope drums for winches and capstans.

## FABRICATED MACHINED PARTS

- Screw Press Press Cage, Drive and Driven Shafts.
- Sludge Centrifuge Bowls, Nozzles, Bearings, Shafts.
- Sterilizer Door Dished End Liner.
- Ripple Mill high wear Rods, Shafts, Bearings.
- Vibratory Screens, Mesh, and components.
- Fans Impellers, Cone and Shaft.
- Ripper Mill Rotor.
- Hydraulic System components.
- Bearing and Belts.

For further information, please contact sales office, or:



Palm Oil Mill Equipment Specialist

**Excelmech Engineering Sdn. Bhd.** (Company No. 862039-X)

Lot 2828, Jln Kelkati 32/168, Off Jln. Sri Gambut Bukit Naga, Seksyen 32, 40460 Shah Alam, Selangor Darul Ehsan, Malaysia.  
Tel: 603-5167 1589 Fax: 603-5167 2588  
E-mail: contact@excelmech.com.my



SCAN ME

# EXCEL M-LINER



*Palm Oil Mill Equipment Specialist*

[www.excelmech.com.my](http://www.excelmech.com.my)



# WEAR LINERS FOR SCRAPER CONVEYOR CHAIN

## INTRODUCTION

M-Liners is made of Ultra High Molecular Weight Polyethylene(UHMW-PE) material, a type of thermo-plastic, which combines the featured characteristics of all types of plastics, excellent in withstanding wear and tear, impact resistance and chemical corrosion, self-lubricating, working against low temperature, low in abrasion loss, absorbing energy, anti-ageing and preventing build-up of static electricity.

It is widely used as conveyor wear lining for palm oil mills; interior lining of the coal house of thermo power plant, coal mines and coking plants etc; wear lining for storage tanks in cement factories, steel mills and aluminium factories, the granary of food industry, feedstuff industry and pharmaceutical factories, hoppers at wharfs as well as lining for cabin of bulk ships. It prevents powder material sticking on cabin and reduces the damage to cabin wall by loading machinery, due to non-material sticking properties, it can speed up loading process, reduce clogging significantly.

## A

Extremely high anti-abrasion: Owing to its particular molecular structure, anti-abrasion performance of UHMW-PE is higher than ordinary metal and plastic: 6.6 times of carbon steel, 5.5 times of stainless steel, 27.3 times of brass, 6 times of nylon and 5 times of PTFE.

Material	UHMW-PE	PTFE	Nylon 6	A3 Steel	PERed	Copper
Wearing rate	0.32	1.72	3.30	7.36	8.63	13.12

## B

Excellent self-lubricating performance, low friction coefficient and flow resistance, resulting in low energy consumption.

Material	UHMW-coal	Cast stone	Stain steel plate-coal	Stain steel plate-coal	Concrete-coal
Wearing coefficient	0.15-0.25	0.30-0.45	0.45-0.58	0.30-0.40	0.60-0.70

## C

Good in resisting impact, flexibility. Even under low temperature and thunder impact, it does not break. It doesn't become fragile even under -180°C surrounding temperature.

Material	UHMW-coal	Cast stone plate	PAE 6	POM	F4	A3	45°
Impact Intensity (kg/m3)	100-160	1.6-15	6-11	8-13	16	300-400	700

## D

Excellent in resisting chemical corrosion: it works against all acid, alkali, salt medium except concentrated sulphuric acid, dense nitric acid and some organic solvent.

## E

Free from toxin, smell or exudates.

## F

Good electric resistance, relatively low in water absorption.

## G

Good performance in resisting environment stress crack, 200 times of ordinary PE.



For further information, please contact sales office, or:



**Excelmech Engineering Sdn. Bhd.** (Company No. 862039-X)

Lot 2828, Jln Kelkati 32/168, Off Jln. Sri Gambut Bukit Naga,  
Seksyen 32, 40460 Shah Alam, Selangor Darul Ehsan, Malaysia.  
Tel: 603-5167 1589 Fax: 603-5167 2588  
E-mail: contact@excelmech.com.my



SCAN ME

# EXCEL BUCKET STRAINER



*Palm Oil Mill Equipment Specialist*

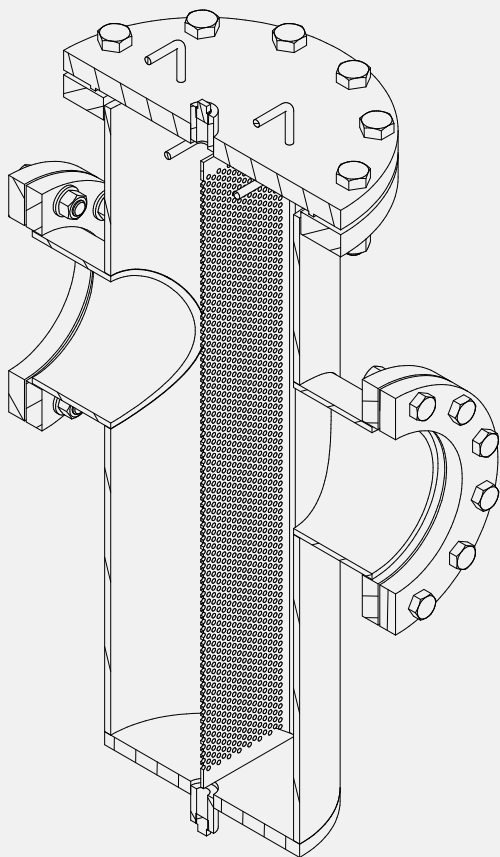
[www.excelmech.com.my](http://www.excelmech.com.my)



# BUCKET STRAINER

## MAIN FEATURES

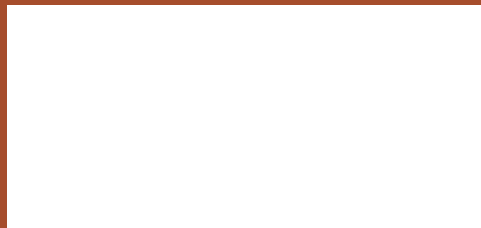
Bucket Strainer is used as a closed vessel with cleanable or removable strainer or mesh screen for removing foreign particles in a horizontal pipeline.



## SPECIFICATION

Dimension (Body x Nozzle)	8" x 4" / 10" x 6" / 12" x 8"
Body & Nozzle Material	Carbon Steel / Stainless Steel
Flange Type	Any
Strainer	SS304 c/w Ø3mm Perforated Holes
Design Pressure	10 barg / 145 psig
Design Temperature	90 °C
Design Code	ASME SECT. VIII DIV. 1 2019
Medium	Oil / Water

For further information, please contact sales office, or:



**Excelmech Engineering Sdn. Bhd.** (Company No. 862039-X)

Lot 2828, Jln Kelkati 32/168, Off Jln. Sri Gambut Bukit Naga, Seksyen 32, 40460 Shah Alam, Selangor Darul Ehsan, Malaysia.  
Tel: 603-5167 1589 Fax: 603-5167 2588  
E-mail: [contact@excelmech.com.my](mailto:contact@excelmech.com.my)

